



www.easykart.com

The kart **EASY**: simple and cheap!

50

60

100&125



©EasyKart is a brand protected by Birel ART srl

What's Easykart





EasyKart was born thanks to a project ideated by **Birel** at the end of 90's with the aim to support the basic karting and, above all, the youth field.

Consequently this project gave rise to a **Brand Trophy**, which includes the use of the same chassis, motors, fuel and tires **for all the pilots**.

EasyKart includes 4 different categories: 50cc, 60cc, 100cc and 125cc.

All the EasyKart karts are sold ready to be used, together with accessories and tires at a special price.

The initial approach to karting begins with **EasyTraining**, a category specialized in play and sport fields, which includes an educational program for future pilots through the planning of theory lessons matched by races simulations.

For everybody who wants to compete in a professional contest, with low costs and high organizational contents, there is the **EasyKart Trophy**, which represents the ideal context for them.

A lot of pilots grown up in EasyKart Trophy environment landed then in the leading karting and motoring, obtaining great results.

The EasyKart project, which is now present in more than 10 countries all over the world, is witness of the success of the sport activity promoted by **Birel ART**.

Every year the best pilots are chosen in order to challenge each other in one of the most desired competition of the year: **The International Final**.

The utilized karts

50 | 60 | 100 | 125

Easykart 50

CHASSIS

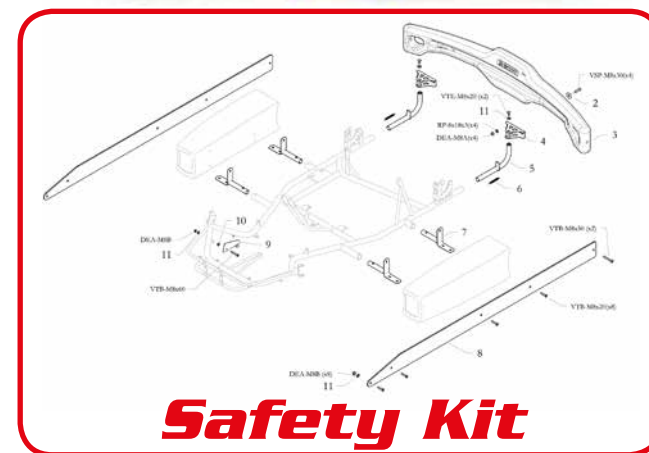
- Birel ART model B25-X
- Structure realized with tubes in molybdenum chrome Ø of 25mm
- Direction of the steering wheel directly through tie rod and stub axles
- Rear axle in solid steel Ø 25x880
- Rear mechanic brake caliber double leverage
- Brake disc in steel Ø 166x5mm
- Direct transmission through chain pitch 7.8
- Light mag wheels: front CR 115x5" - rear DR 150x5"
- Steering wheel Ø 320 Birel ART
- Seat in fiberglass size XS
- Front and rear fairings in polypropylene
- Rear bumper with intruder alarm system
- Accessories of HQ series (High Quality)

MOTOR

- BLUE BIRD model N 57 E
- Admission in 2 times aspirated in third light
- Forced air-cooling
- Flip-off start
- Electronic ignition
- Centrifugal clutch
- Carburetor WALBRO 397
- Incorporated tank

TIRES

- Front tires (medium compound) ETS 4.0/10.0-5
- Rear tires (medium compound) ETS 4.0/11.0-5



Easykart 60

CHASSIS

- Birel ART model L28C-Y
- Structure realized with tubes in molybdenum chrome Ø of 28mm
- Direction of the steering wheel directly through tie rod and stub axles
- Rear axle in solid steel Ø 25x960
- Rear mechanic brake self adjusting hydraulic double leverage
- Brake disc in steel Ø166x5mm
- Direct transmission through chain pitch 7.8
- Light mag wheels

- Front CR 115x5" Rear DR 150x5"
- Steering wheel in aluminum Ø 320 Birel ART
- Seat in fiberglass size S
- Front and rear fairings mod. MK14 + side FL MINI
- Rear bumper in polypropylene FREELINE
- Accessories of HQ series (High Quality)

TIRES

- Front tires (medium compound) ETS 4.0/10.0-5
- Rear tires (medium compound) ETS 4.0/11.0-5



The utilized karts

50 | 60 | 100 | 125

Easykart 100

CHASSIS

- Birel ART model R30C-Y
- Structure realized with tubes in molybdenum chrome Ø of 32mm
- Direction of the steering wheel directly through tie rod and stub axles
- Rear axle in drilled steel Ø 40x3x1040 M
- Rear mechanic brake self adjusting hydraulic double leverage
- Brake disc in steel Ø180x8 mm
- Direct transmission through chain pitch 7.8
- Light mag wheels
- Front CR 130x5" Rear DR 210x5"

- Covered steering wheel in aluminum Ø 320 Birel ART
- Seat in fiberglass size M
- Front and rear fairings mod. FP7 + side FL EVO
- Rear bumper in polypropylene FREELINE
- Accessories of HQ series (High Quality)

TIRES

- Front tires (medium compound) ETS 4.5/10.0-5
- Rear tires (medium compound) ETS 7.1/11.0-5



Easykart 125

CHASSIS

- Birel ART model R30C-Y
- Structure realized with tubes in molybdenum chrome Ø of 30/32mm
- Direction of the steering wheel directly through tie rod and stub axles
- Rear axle in drilled steel Ø 40x3x1040 M
- Rear mechanic brake self-adjusting hydraulic double leverage
- Brake disc in steel Ø180x8 mm
- Direct transmission through chain pitch 7.8
- Light mag wheels

- Front CR 130x5" Rear DR 210x5"
- Covered steering wheel in aluminum Ø 320 Birel ART
- Seat in fiberglass size M
- Front and rear fairings mod. FP7 + side FL EVO
- Rear bumper in polypropylene FREELINE
- Accessories of HQ series (High Quality)

TIRES

- Front tires (medium compound)ETS 4.5/10.0-5
- Rear tires (medium compound) ETS 7.1/11.0-5



The BMB utilized motors

60 | 100 | 125



B.M.B MOTORSPORT ENGINES

BMB, the brand of motors produced by Birel ART Group, has been supplying assistance with success in EasyKart Trophies for years, by making use of the research, development and production structure of the parent company with seat in Lissone, a part of which has been used as specific department.



EKL	EKJ	EKA
Two stroke admission aspirated at third light	Two stroke lamellar admission	Two stroke lamellar admission
Forced air-cooling	Forced air-cooling	Forced air-cooling
Electronic start	Electronic start	Electronic start
Electronic ignition	Electronic ignition	Electronic ignition
Centrifugal clutch	Centrifugal clutch	Centrifugal clutch
Carburetor TILLOTSON 396 A	Carburetor TILLOTSON 397 A	Carburetor TILLOTSON 397 B
Engine capacity 62cc	Engine capacity 100cc	Engine capacity 125cc
Stroke 43.3 mm	Stroke 43.3 mm	Stroke 54 mm
Bore 42.68 mm	Bore 51.23 mm	Bore 54.28 mm



EasyTraining – from 6 to 10 years old children

The EasyKart 50 model represents the first approach to karting, thought to be the one which teaches children the head start, having at the mean time the high-security and organization.

This kart, ideated to be easy to use and to manage, allows the participation to the EasyTraining program.



60 EasyKart – from 8/9 to 13 years old children

The EasyKart 60 model is the perfect kart to get the youngest pilots ready to the higher category.

Using the same mechanic means, it allows people to improve their sensibility competing in a dynamic context with a high number of participants.



100 EasyKart – from 11 years old children

The EasyKart 100 model represents the conjunction between category 60 and the more performing 125 one, in which it is possible to earn more experience and maturity during races.



125 EasyKart – from 14 years and 6 months old children

The EasyKart 125 model is the ideal solution for all the pilots who chose to cultivate their passion in karting with an amateurish approach.

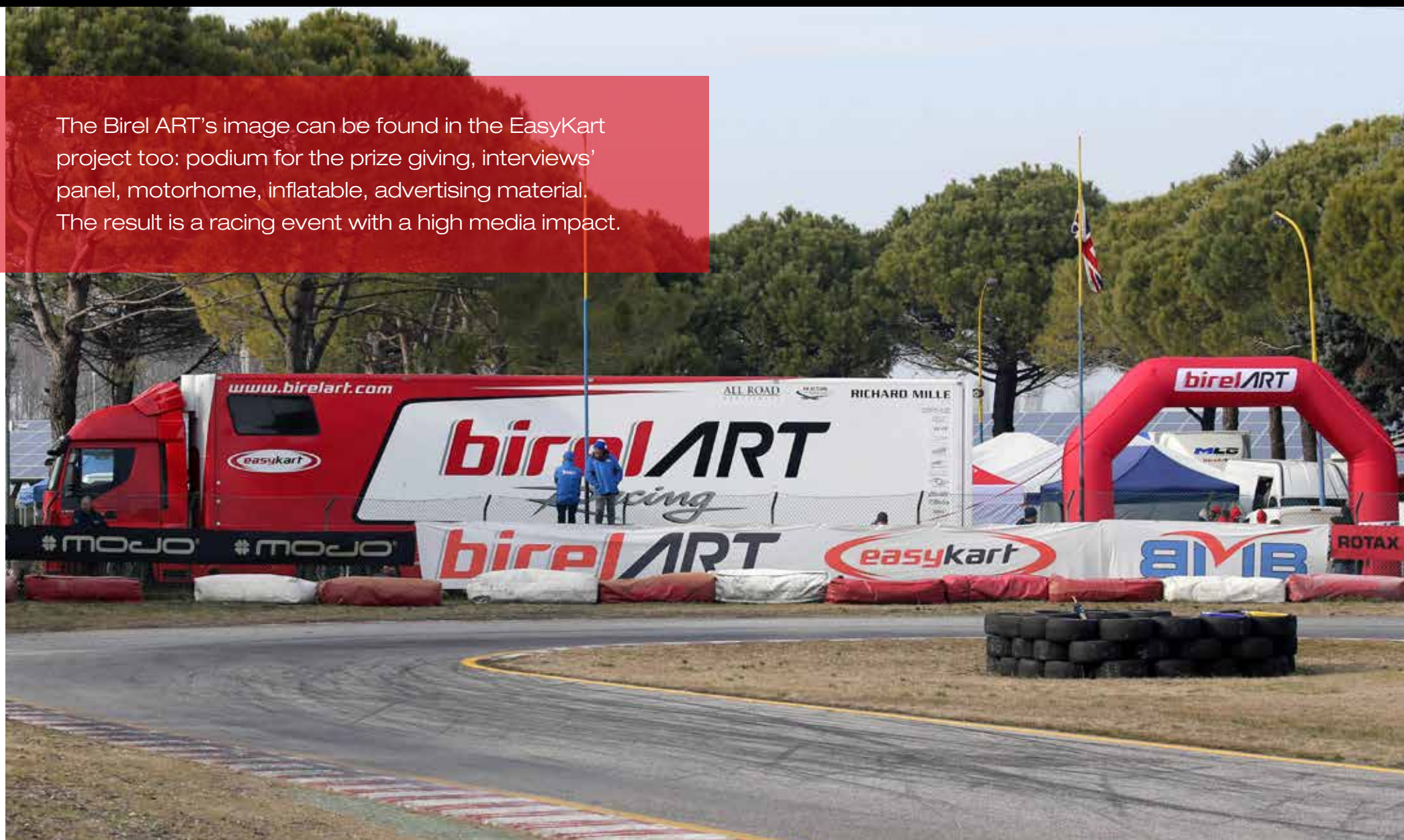
125 EasyKart Senior – from 40 years old people

It was born with the aim to promote all the “Expert” pilots who contributed to creating the Trophy’s history.

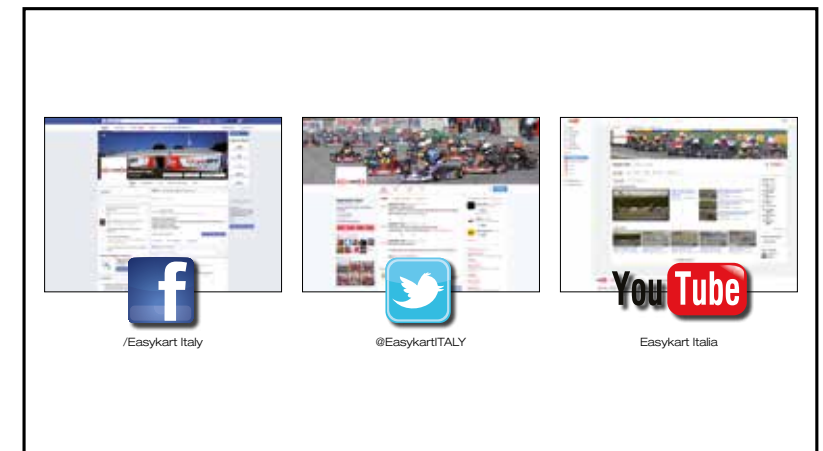
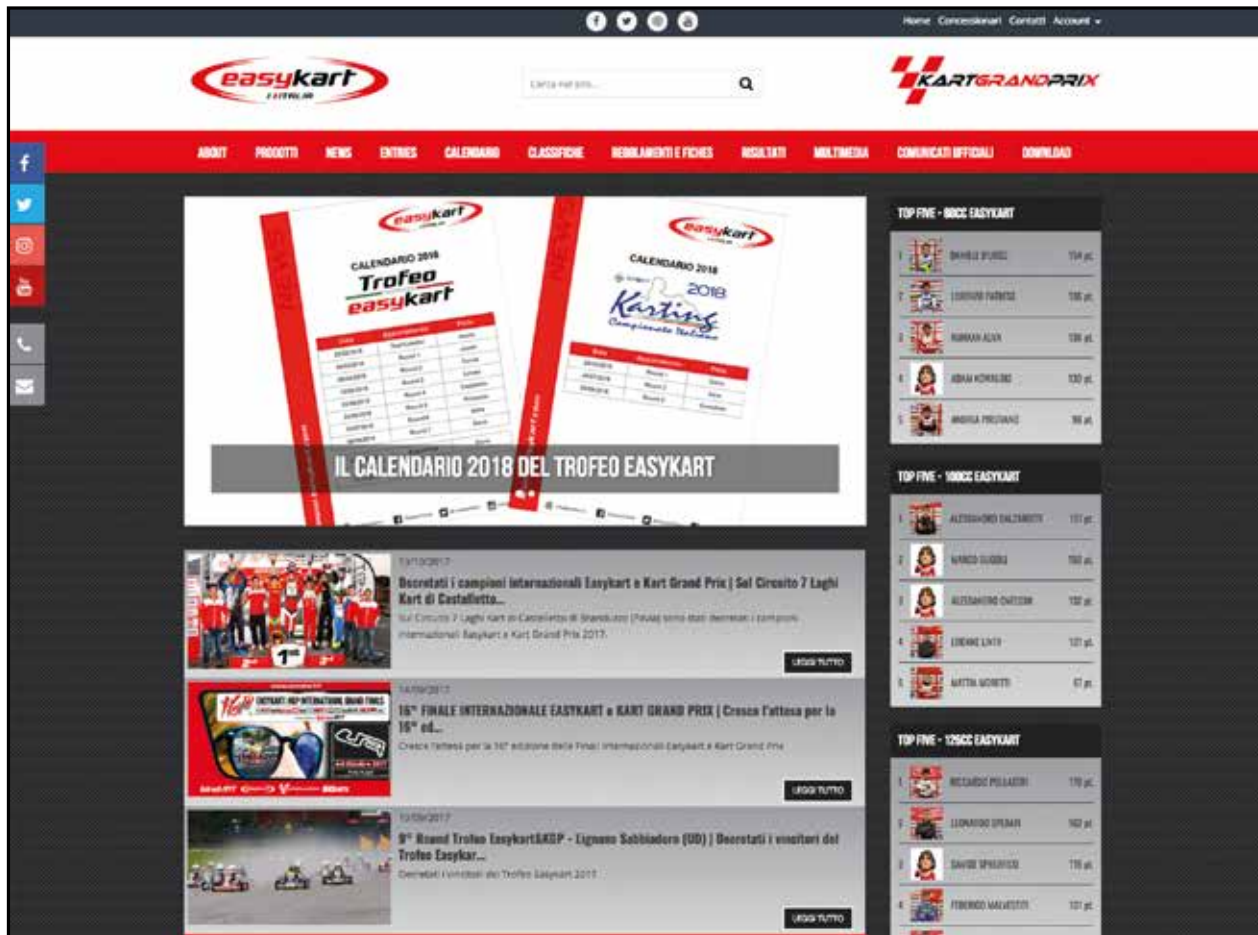
This category will be reserved to all the EasyDrivers over 40.

Brand Identity

The Birel ART's image can be found in the EasyKart project too: podium for the prize giving, interviews' panel, motorhome, inflatable, advertising material. The result is a racing event with a high media impact.







- Website and social profiles constantly updated



- Motors and chassis assistance
- Tires and spare parts sales

- Uniformed performances thanks to the regulations

- Only set up adjustments allowed

- Oil for EasyKart mixture

- Vega tires

- Freeline original accessories



International final



- More than 10 countries represented
- 4 days competition + contour manifestations with international guests
- More than 200 participants
- Tent charter service
- Kart charter service
- Prestigious prizes



www.easykart.com



DEALER:

